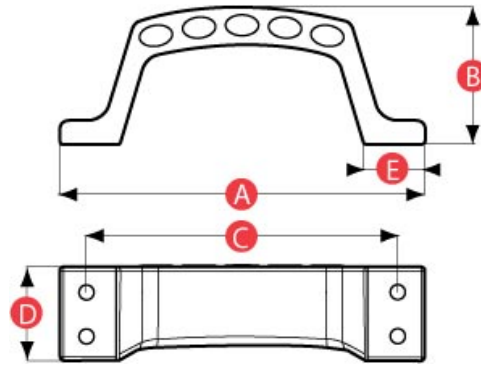




## HEAVY DUTY HANDLE AND FOOTSTEP



Pattern	Part No.	A	B	C	D	E	Bore size	Standard fixing
HFS140	12561T	164	64	140	42	27	6.5mm	4 x M6 socket head cap screws

Material: Matt finish nylon

Standard colour: Black

Colour options: All RAL colours can be produced - MOQs apply

Options: This heavy duty handle features a flat edge with protruding areas for extra grip. When mounted on a wall or vertical surface it is suitable for a foot step application

All our products are available in different materials (for example Polypropylene, ABS or different levels of glass filled nylon), with different insert materials (such as stainless steel, alloy or different zinc plating) and with different thread lengths and/or sizes. Please contact our Sales Team to see how we can help you save money AND get you exactly the product you need.