

HD

Material

Die cast zinc

Rod material

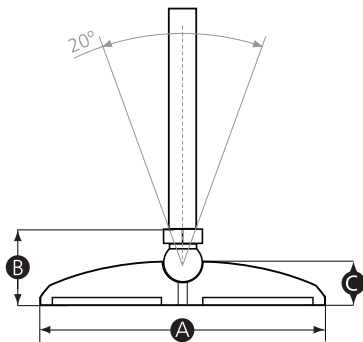
Zinc plated steel as standard. Stainless steel on request (MOQs apply).

Standard colour

Black

Options

Many more base and rod size combinations available on request. Add a **Model 01 ASP** Anti Slip Plate to provide extra grip and anti-vibration.



Part No.	A	B	C	Thread size	Thread length (mm)	Max load (kg)
15654P	30	29	18	M8	45	350
15653T	30	29	18	M10	45	470
15655W	40	29	18	M8	45	350
15656S	40	29	18	M10	45	470
15657Z	50	29	18	M10	90	470
15658V	50	29	18	M12	150	750
15659R	60	29	18	M12	100	750
15660Y	60	29	18	M12	150	750
15661U	80	29	19	M12	150	750
15662Q	80	29	19	M16	100	1400
15663X	100	29	19	M16	100	1400
15664T	100	29	19	M20	150	2400
15665P	120	29	19	M20	150	2400
15666W	120	29	19	M24	100	3500