



**Material**

High impact resistant thermoplastic

**Finish**

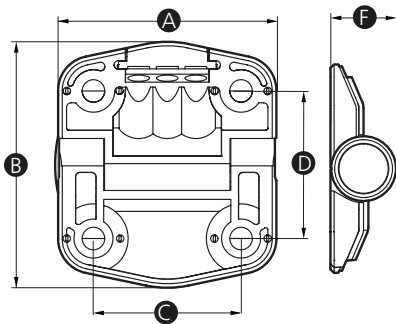
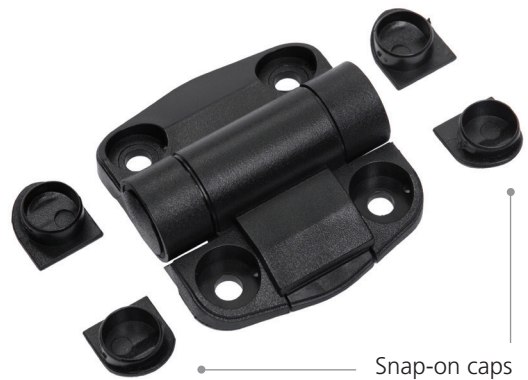
Matt

**Colour**

Black

**Function**

Select one of the available detent options to allow doors to be held open at a predetermined opening angle. Secure, snap-on caps fully conceal mounting screws.



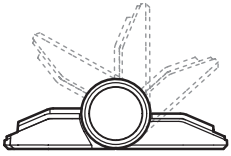
Part No.	A	B	C	D	E	F	Hole size	Detent	Detent angle
15788S	51	57	34	34	-	18	5.2	None	-
15789Z	51	57	34	34	-	18	5.2	Yes	80
15790V	51	57	34	34	-	18	5.2	Yes	115
15791R	51	57	34	34	-	18	5.2	Yes	150

Part No.	Hinge positioning torque (Nm)	Screw	Radial load (N)	Axial load (N)	Recommended tightening torque (Nm)	Approx. shear force per screw (kN)
15788S	-	M5	450	450	1.5	0.28
15789Z	1.2	M5	450	450	1.5	0.28
15790V	1.2	M5	450	450	1.5	0.28
15791R	1.2	M5	450	450	1.5	0.28

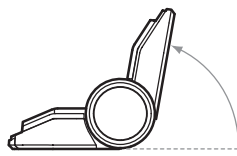
Continued overleaf »

« Continued from overleaf

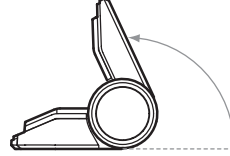
**Detent angle**



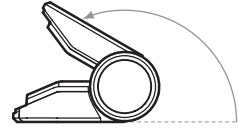
No detent / Free swinging



80°



115°



150°